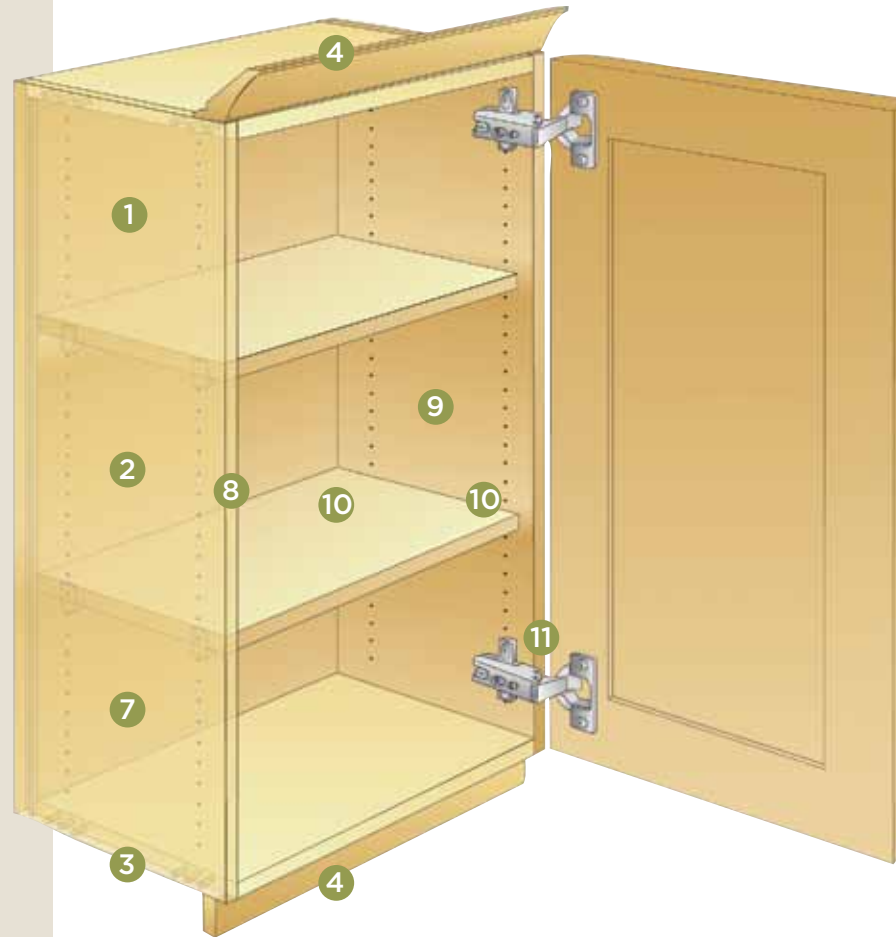


ULTRACRAFT DESTINY PERFORMANCE CONSTRUCTION



- 1 CABINET BOX IS MANUFACTURED WITH ENVIRONMENTALLY-FRIENDLY, 5/8"-THICK, EPP-CERTIFIED ENGINEERED WOOD. OPTIONAL ALL-PLYWOOD BOX AVAILABLE WITH WOOD DOOR STYLES
- 2 DOWEL-AND-GLUE JOINERY AND FULLY-CAPTURED, MACHINE-FITTED BACK PANEL

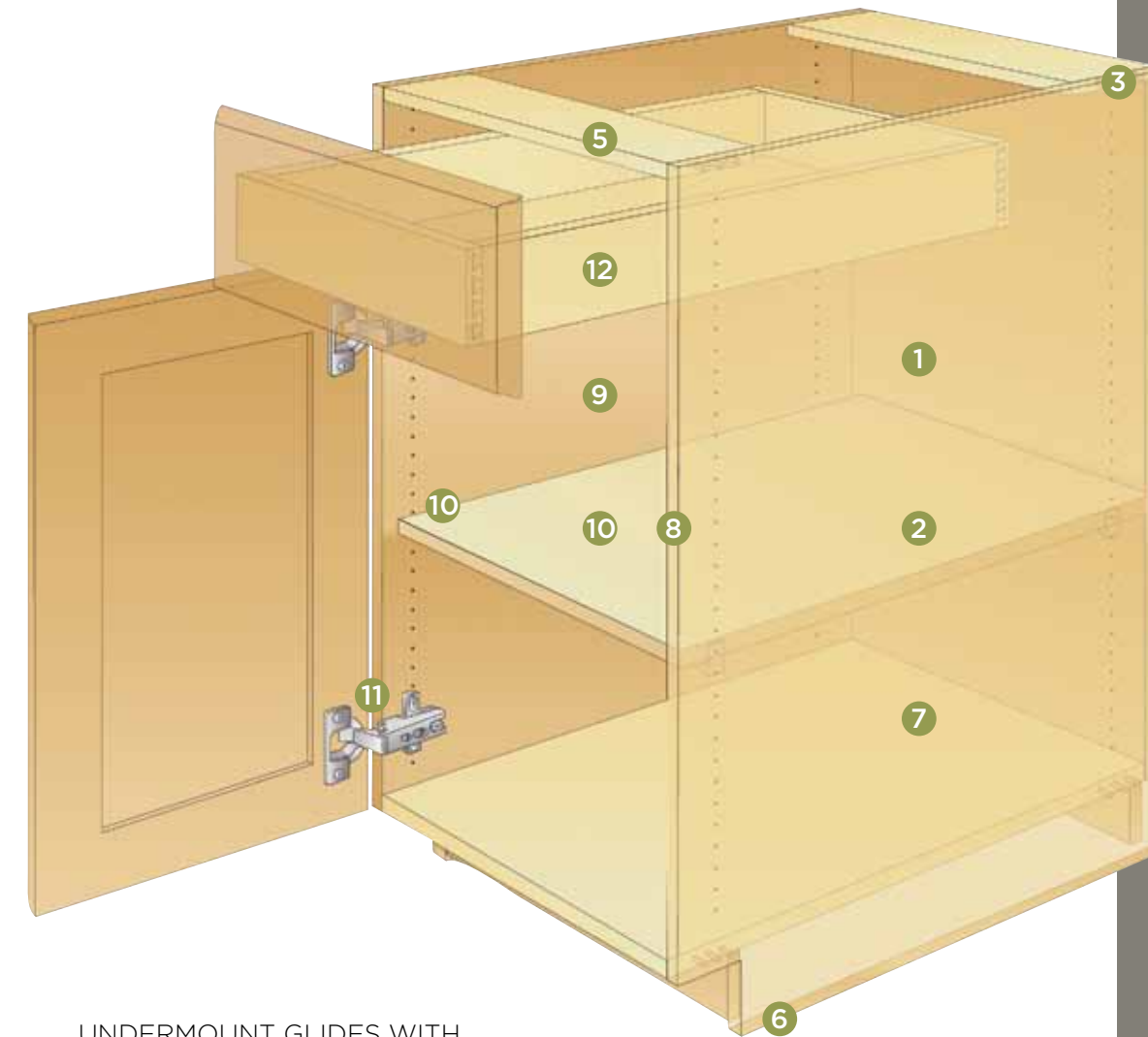
- 3 FLUSH BOTTOM, TOP, AND FINISHED ENDS FOR A FURNITURE-LIKE APPEARANCE AND EASY INSTALLATION
- 4 OPTIONAL FOOTED MOLDINGS AND LIGHT RAILS SECURE TO FLUSH TOPS AND BOTTOMS OF WALL CABINETS
- 5 FULL-WIDTH STRETCHERS FRONT AND REAR PROVIDE SOLID SUPPORT AND MOUNTING SURFACE FOR COUNTER TOPS
- 6 TOE-SPACE BLOCKING FRONT AND REAR PROVIDES STRENGTH FOR OPTIONAL COORDINATING TOE KICK COVER
- 7 EXTERIOR TOPS, BOTTOMS AND UNFINISHED ENDS ARE COVERED IN NEUTRAL WOODGRAIN MELAMINE, PROVIDING COMPLETE COVERAGE OF THE WOOD CORE; FINISHED ENDS, INTERIORS AND PANELS ARE COVERED IN COLOR-COORDINATED MATERIAL

- 8 FRONT EDGES HAVE MATCHING WOOD OR COORDINATING PVC EDGE BANDING; TOPS, BOTTOMS, AND BACKS OF END PANELS ARE ALSO EDGE BANDING

- 9 INTERIOR IS STANDARD WHITE OR NEUTRAL WOODGRAIN MELAMINE; OPTIONAL COORDINATING INTERIOR AVAILABLE
- 10 SHELVING IS 5/8"-THICK, ADJUSTABLE, FULL-DEPTH SHELVING WITH EDGE BANDING AND METAL SHELF CLIPS
- 11 HINGES ARE STEEL, FULLY-CONCEALED, CLIP-ON/OFF, SELF-CLOSING, 107°, 6-WAY-ADJUSTABLE HINGE WITH A LIFETIME MANUFACTURER'S WARRANTY; SOFT-CLOSE CLIP-ONS OPTIONAL

- 12 WOOD DOVETAIL DRAWER: 5/8"-THICK, DOVETAILED SIDES AND BACK, 1/4"-THICK, FULLY-CAPTURED BOTTOM, AND FULL-EXTENSION, 75-POUND-RATED TANDEM, UNDERMOUNT GLIDES WITH SOFT CLOSE. SOFT CLOSE ALLOWS DRAWER TO CLOSE QUIETLY WITH JUST A TOUCH. STANDARD ON CABINETS WITH ALL DOOR STYLES EXCEPT ACRILUX. WOOD DOVETAIL PULL-OUTS, WITH OR WITHOUT SOFT CLOSE, ARE AVAILABLE AS AN UPGRADE

METAL DRAWER: GRAY METAL SIDES, 5/8"-THICK, GRAY MELAMINE BACK AND BOTTOM, AND FULL-EXTENSION, 75-POUND-RATED TANDEM,



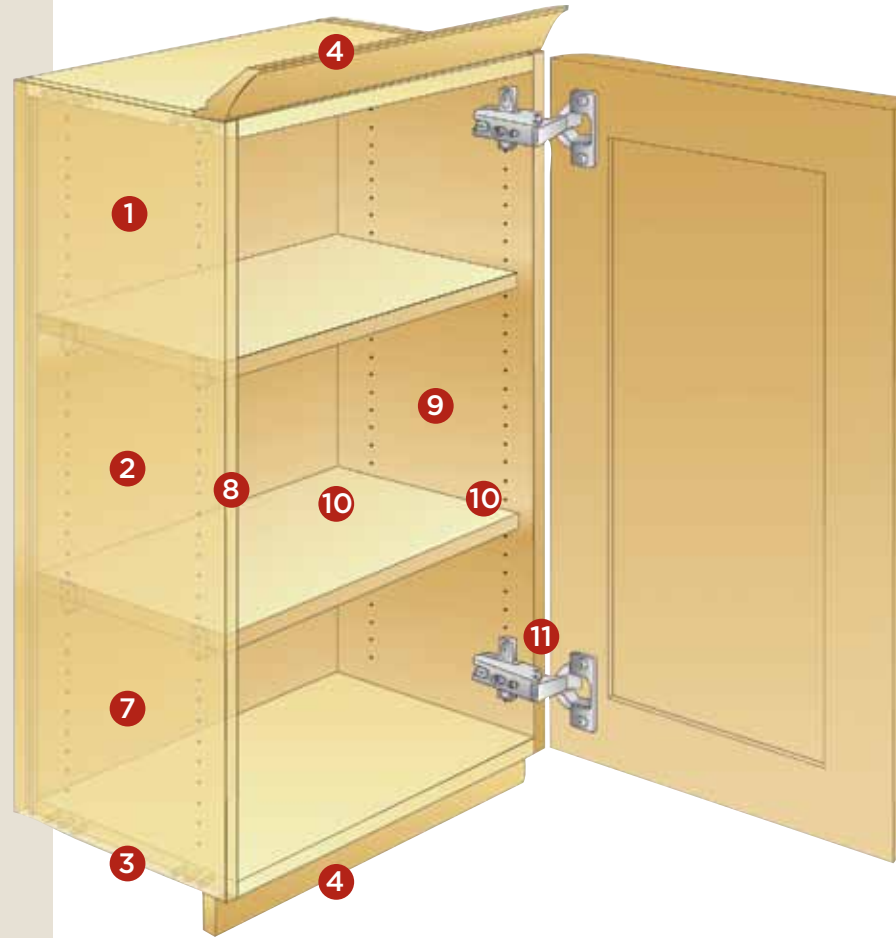
UNDERMOUNT GLIDES WITH SOFT CLOSE. SOFT CLOSE ALLOWS DRAWER TO CLOSE QUIETLY WITH JUST A TOUCH. STANDARD ON CABINETS WITH ACRILUX DOOR STYLES AND OPTIONAL ON CABINETS WITH ALL OTHER DOOR STYLES. METAL PULL-OUTS, WITH SOFT CLOSE, ARE AVAILABLE AS AN UPGRADE

ALL GLIDES HAVE A LIFETIME MANUFACTURER'S WARRANTY

DESTINY ADVANTAGES

- ▶ THOUSANDS OF DOOR STYLE/FINISH COMBINATIONS
- ▶ TRADITIONAL AND CONTEMPORARY STYLES IN WOOD, ACRILUX, METAL, THERMOFOIL, AND MELAMINE
- ▶ WOOD DOVETAIL OR METAL DRAWER WITH FULL-EXTENSION, UNDERMOUNT, SOFT CLOSE GLIDES
- ▶ DELIVERS IN AN AVERAGE OF 5 TO 6 WEEKS
- ▶ 6-WAY-ADJUSTABLE CLIP-ON HINGES FOR PRECISE DOOR ALIGNMENT
- ▶ ALL HINGES AND GLIDES COVERED BY A LIMITED LIFETIME WARRANTY
- ▶ UNOBSTRUCTED ACCESS
- ▶ ADJUSTABLE FULL-DEPTH SHELVES FOR MORE STORAGE SPACE
- ▶ FLUSH FINISHED ENDS FOR A FURNITURE-LIKE APPEARANCE AND EASY INSTALLATION
- ▶ EASY-TO-CLEAN MELAMINE INTERIORS
- ▶ COMPREHENSIVE SELECTION OF MATCHING MOLDINGS
- ▶ OVER 90 CONVENIENCE ACCESSORIES
- ▶ EASY TO INSTALL
- ▶ MADE IN THE U.S.A.
- ▶ 100-YEAR LIMITED WARRANTY

ULTRACRAFT VISION PERFORMANCE CONSTRUCTION

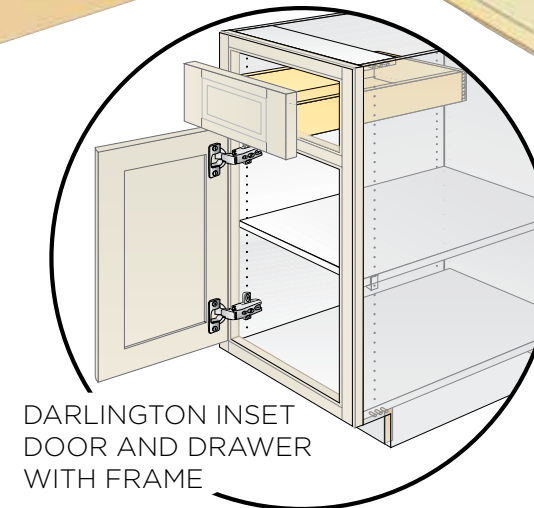
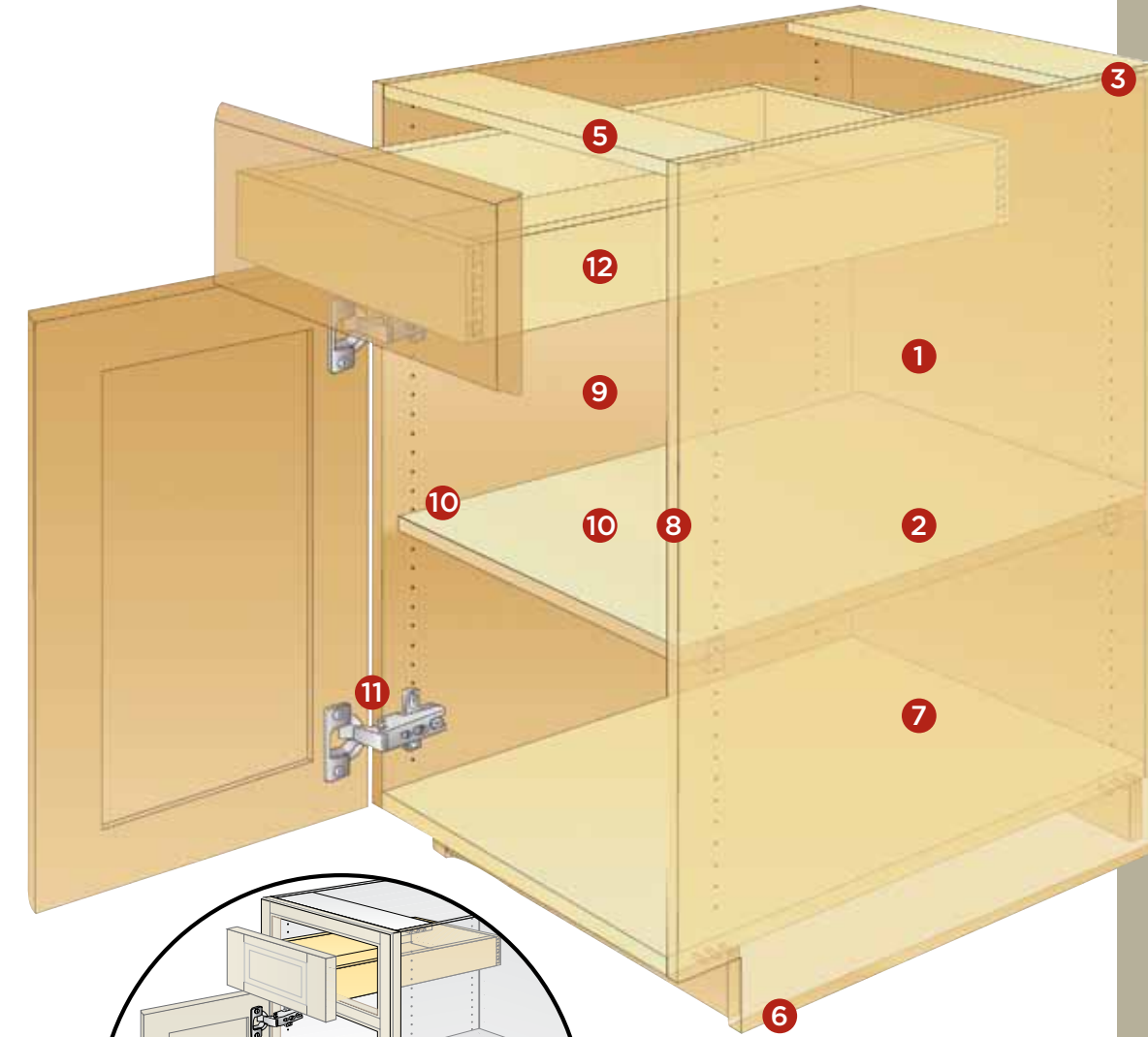


- 1 CABINET BOX IS MANUFACTURED WITH ENVIRONMENTALLY-FRIENDLY, 5/8"-THICK, EPP-CERTIFIED ENGINEERED WOOD.
- 2 DOWEL-AND-GLUE JOINERY AND FULLY-CAPTURED, MACHINE-FITTED BACK PANEL

- 3 FLUSH BOTTOM, TOP, AND FINISHED ENDS FOR A FURNITURE-LIKE APPEARANCE AND EASY INSTALLATION
- 4 OPTIONAL FOOTED MOLDINGS AND LIGHT RAILS SECURE TO FLUSH TOPS AND BOTTOMS OF WALL CABINETS
- 5 FULL-WIDTH STRETCHERS FRONT AND REAR PROVIDE SOLID SUPPORT AND MOUNTING SURFACE FOR COUNTER TOPS
- 6 TOE-SPACE BLOCKING FRONT AND REAR PROVIDES STRENGTH FOR OPTIONAL COORDINATING TOE KICK COVER
- 7 EXTERIOR TOPS, BOTTOMS AND UNFINISHED ENDS ARE COVERED IN NEUTRAL WOODGRAIN MELAMINE, PROVIDING COMPLETE COVERAGE OF THE ENGINEERED WOOD CORE; FINISHED ENDS, INTERIORS AND PANELS ARE COVERED IN COLOR-COORDINATED MATERIAL
- 8 FRONT EDGES HAVE COORDINATING PVC EDGE BANDING; TOPS, BOTTOMS, AND BACKS OF END PANELS ARE ALSO EDGE BANDED

- 9 STANDARD INTERIOR IS NEUTRAL WOODGRAIN MELAMINE; OPTIONAL COORDINATING INTERIOR ON CABINETS WITH VISIBLE INTERIORS
- 10 SHELVING IS 5/8"-THICK, ADJUSTABLE, FULL-DEPTH SHELVING WITH EDGE BANDING AND METAL SHELF CLIPS
- 11 HINGES ARE STEEL, FULLY-CONCEALED, CLIP-ON/OFF, SELF-CLOSING, 107°, 6-WAY-ADJUSTABLE HINGE WITH A LIFETIME MANUFACTURER'S WARRANTY; SOFT-CLOSE CLIP-ONS OPTIONAL
- 12 WOOD DOVETAIL DRAWER: 5/8"-THICK, DOVETAILED SIDES AND BACK, 1/4"-THICK, FULLY-CAPTURED BOTTOM, AND FULL-EXTENSION, 75-POUND-RATED TANDEM, UNDERMOUNT GLIDES. OPTIONAL SOFT CLOSE ALLOWS DRAWER TO CLOSE QUIETLY WITH JUST A TOUCH. WOOD DOVETAIL PULL-OUTS, WITH OR WITHOUT SOFT CLOSE, ARE AVAILABLE AS AN UPGRADE

ALL GLIDES HAVE A LIFETIME MANUFACTURER'S WARRANTY

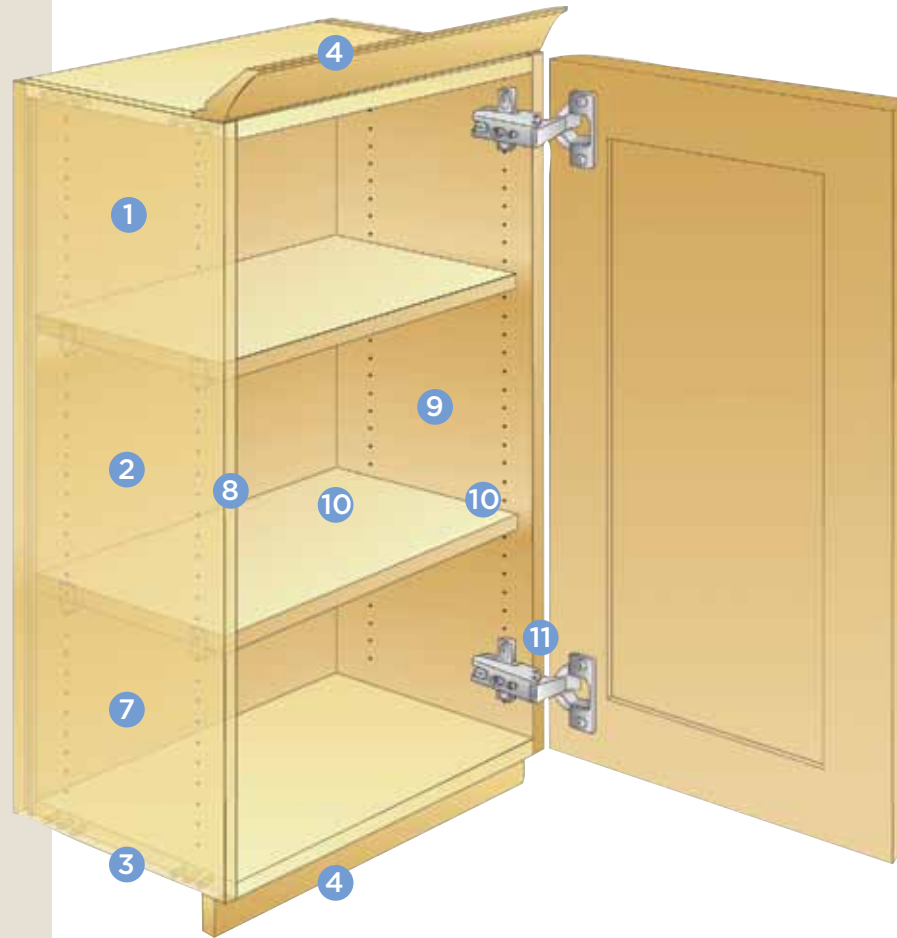


DARLINGTON INSET DOOR AND DRAWER WITH FRAME

VISION ADVANTAGES

- ▶ EUROTEK VENEER IS UNAFFECTED BY CLIMATE AND COLOR VARIATIONS
- ▶ WOOD DOVETAIL DRAWERS & PULL-OUTS WITH FULL-EXTENSION, UNDERMOUNT GLIDES & OPTIONAL SOFT CLOSE
- ▶ DELIVERS IN AN AVERAGE OF 3 TO 4 WEEKS
- ▶ 6-WAY-ADJUSTABLE CLIP-ON HINGES FOR PRECISE DOOR ALIGNMENT
- ▶ ALL HINGES AND GLIDES COVERED BY A LIMITED LIFETIME WARRANTY
- ▶ DARLINGTON: THE HOTTEST INSET DOOR STYLE AT HALF THE COST OF PAINTED WOOD DOORS
- ▶ UNOBSTRUCTED ACCESS
- ▶ ADJUSTABLE FULL-DEPTH SHELVES FOR MORE STORAGE SPACE
- ▶ FLUSH FINISHED ENDS FOR A FURNITURE-LIKE APPEARANCE AND EASY INSTALLATION
- ▶ EASY-TO-CLEAN MELAMINE INTERIORS
- ▶ COMPREHENSIVE SELECTION OF MATCHING MOLDINGS
- ▶ OVER 40 CONVENIENCE ACCESSORIES
- ▶ CREATE-A-CABINET PROGRAM ALLOWS MODIFICATIONS WITHOUT INCREASING LEAD TIMES
- ▶ EASY TO INSTALL
- ▶ MADE IN THE U.S.A.
- ▶ 100-YEAR LIMITED WARRANTY

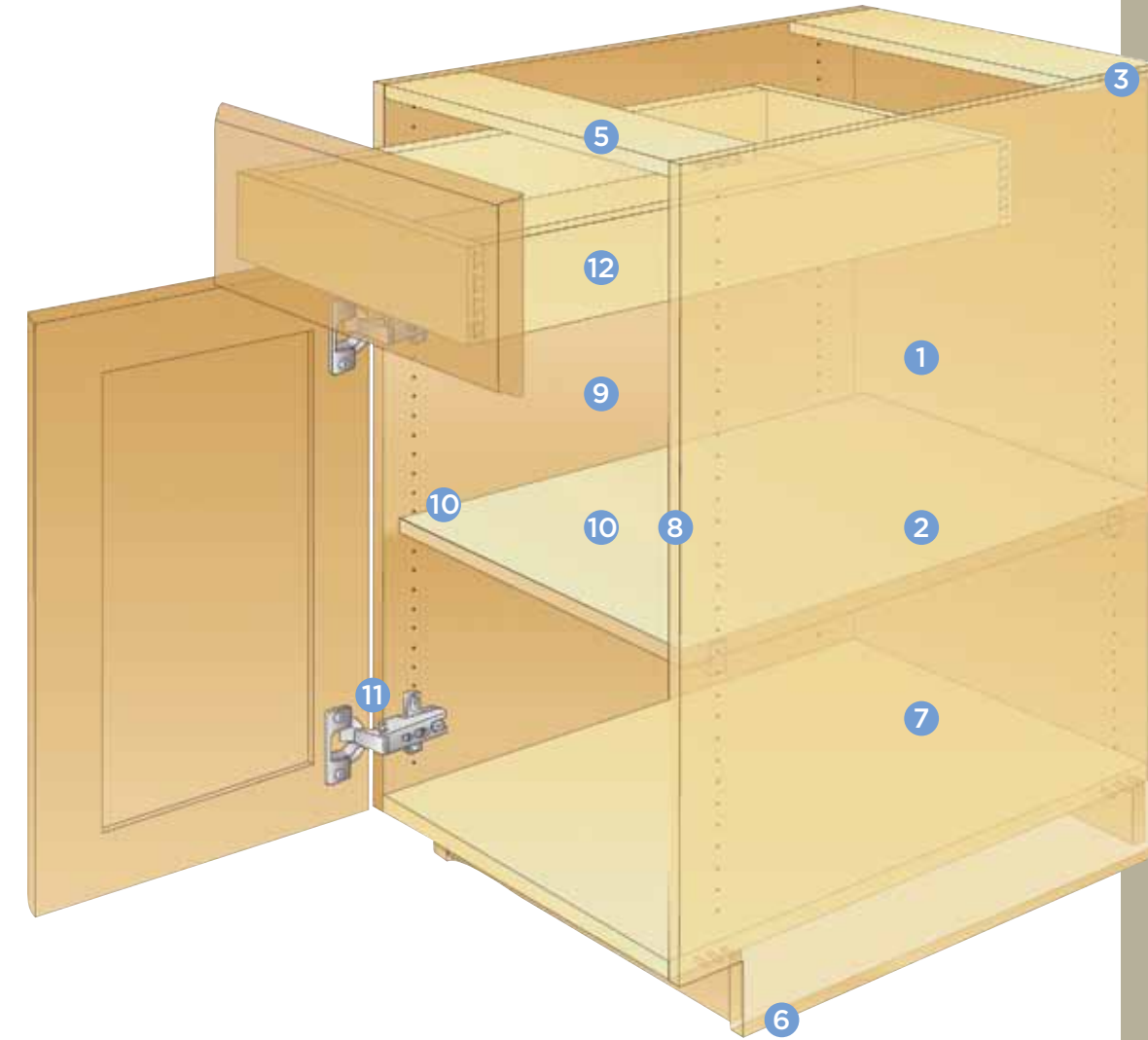
ULTRACRAFT ENTRÉE PERFORMANCE CONSTRUCTION



- 1 CABINET BOX IS MANUFACTURED WITH ENVIRONMENTALLY-FRIENDLY, 5/8"-THICK, EPP-CERTIFIED ENGINEERED WOOD.
- 2 DOWEL-AND-GLUE JOINERY AND FULLY-CAPTURED, MACHINE-FITTED BACK PANEL

- 3 FLUSH BOTTOM, TOP, AND FINISHED ENDS FOR A FURNITURE-LIKE APPEARANCE AND EASY INSTALLATION
- 4 OPTIONAL FOOTED MOLDINGS AND LIGHT RAILS SECURE TO FLUSH TOPS AND BOTTOMS OF WALL CABINETS
- 5 FULL-WIDTH STRETCHERS FRONT AND REAR PROVIDE SOLID SUPPORT AND MOUNTING SURFACE FOR COUNTER TOPS
- 6 TOE-SPACE BLOCKING FRONT AND REAR PROVIDES STRENGTH FOR OPTIONAL COORDINATING TOE KICK COVER
- 7 EXTERIOR TOPS, BOTTOMS AND UNFINISHED ENDS ARE COVERED IN WHITE OR NEUTRAL WOODGRAIN MELAMINE, PROVIDING COMPLETE COVERAGE OF THE ENGINEERED WOOD CORE; FINISHED ENDS, INTERIORS AND PANELS ARE COVERED IN COLOR-COORDINATED MATERIAL
- 8 FRONT EDGES HAVE COORDINATING PVC EDGEBOARDING; TOPS, BOTTOMS, AND BACKS OF END PANELS ARE ALSO EDGEBANDED

- 9 STANDARD INTERIOR IS WHITE OR NEUTRAL WOODGRAIN MELAMINE; OPTIONAL COORDINATING MELAMINE INTERIOR ON CABINETS WITH VISIBLE INTERIORS
 - 10 SHELVING IS 5/8"-THICK, ADJUSTABLE, FULL-DEPTH SHELVING WITH EDGEBOARDING AND METAL SHELF CLIPS
 - 11 HINGES ARE STEEL, FULLY-CONCEALED, CLIP-ON/OFF, SELF-CLOSING, 107°, 6-WAY-ADJUSTABLE HINGE WITH A LIFETIME MANUFACTURER'S WARRANTY; SOFT-CLOSE CLIP-ONS OPTIONAL
 - 12 STANDARD MELAMINE DRAWER IS 5/8"-THICK, DOWELED MELAMINE SIDES AND BACK, 1/4"-THICK, FULLY-CAPTURED BOTTOM, WITH 3/4-EXTENSION, 75-POUND-RATED, SIDE-MOUNTED, QUIET, EPOXY-COATED GLIDES. FULL-EXTENSION GLIDES AND MELAMINE PULL-OUTS ARE AVAILABLE AS AN UPGRADE
- OPTIONAL WOOD DOVETAIL DRAWER IS 5/8"-THICK, DOVETAILED SIDES AND BACK, 1/4"-THICK, FULLY-CAPTURED BOTTOM, AND FULL-EXTENSION, 75-POUND-RATED TANDEM, UNDERMOUNT GLIDES. OPTIONAL SOFT CLOSE



ALLOWS DRAWER TO CLOSE QUIETLY WITH JUST A TOUCH. WOOD DOVETAIL PULL-OUTS, WITH OR WITHOUT SOFT CLOSE, ARE AVAILABLE AS AN UPGRADE

ALL GLIDES HAVE A LIFETIME MANUFACTURER'S WARRANTY

ENTRÉE ADVANTAGES

- ▶ DOORS STYLES IN WOOD, THERMOFOIL, AND MELAMINE
- ▶ MELAMINE DRAWERS AND PULL-OUTS. OPTIONAL WOOD DOVETAIL DRAWERS & PULL-OUTS WITH FULL-EXTENSION, UNDERMOUNT GLIDES & SOFT CLOSE
- ▶ DELIVERS IN AN AVERAGE OF 3 WEEKS
- ▶ 6-WAY-ADJUSTABLE CLIP-ON HINGES FOR PRECISE DOOR ALIGNMENT
- ▶ ALL HINGES AND GLIDES COVERED BY A LIMITED LIFETIME WARRANTY
- ▶ UNOBSTRUCTED ACCESS
- ▶ ADJUSTABLE FULL-DEPTH SHELVES FOR MORE STORAGE SPACE
- ▶ FLUSH FINISHED ENDS FOR A FURNITURE-LIKE APPEARANCE AND EASY INSTALLATION
- ▶ EASY-TO-CLEAN MELAMINE INTERIORS
- ▶ COMPREHENSIVE SELECTION OF MATCHING MOLDINGS
- ▶ OVER 40 CONVENIENCE ACCESSORIES
- ▶ CREATE-A-CABINET PROGRAM ALLOWS MODIFICATIONS WITHOUT INCREASING LEAD TIMES
- ▶ EASY TO INSTALL
- ▶ MADE IN THE U.S.A.
- ▶ 100-YEAR LIMITED WARRANTY